

5.25" 6/7 8.2

PHYSICAL SPECIFICATIONS

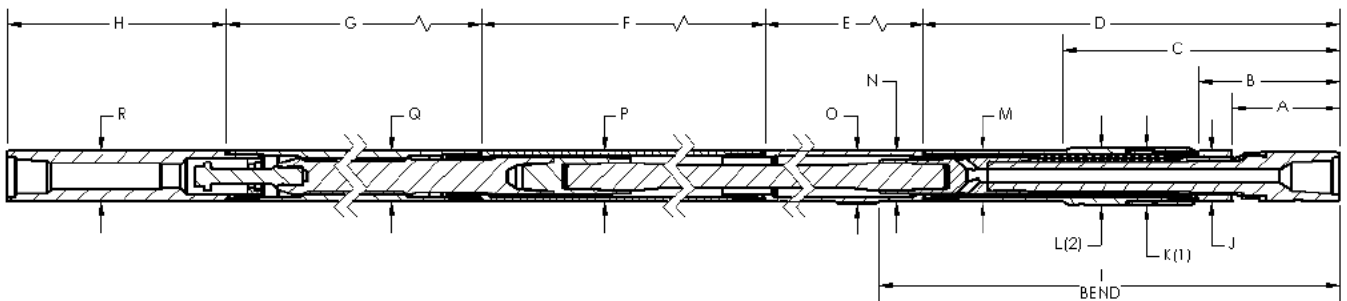
MOTOR SIZE (OD)	5.25
BIT TO BEND (IN)	52.88
MAX WOB (LBS)	43,500
MAX PULL (LBS)	210,000
TRANSMISSION	TITANIUM FLEX

PERFORMANCE SPECIFICATIONS

MAX DIFF (PSI)	2,050
MAX TORQUE (FT-LBS)	9,600
STALL DIFF (PSI)	3,080
STALL TORQUE (FT-LBS)	14,390
MAX REC. HP	366
SPEED (RPG)	0.550
TORQUE SLOPE (FT-LBS/PSI)	4.68
FLOW RANGE (GPM)	225-425



TAG
DRILLING MOTOR CO.



OUTER FISHING DIMENSIONS (FIXED)

A	B	C	D	E	F	G	H	I	J	K	L	M	N	O	P	Q	R
11.74	14.99	31.63	49.63	16.80	41.2	275	21.75	53.88	5.13	5.25	5.25	5.25	5.25	5.66	5.25	5.25	5.25

